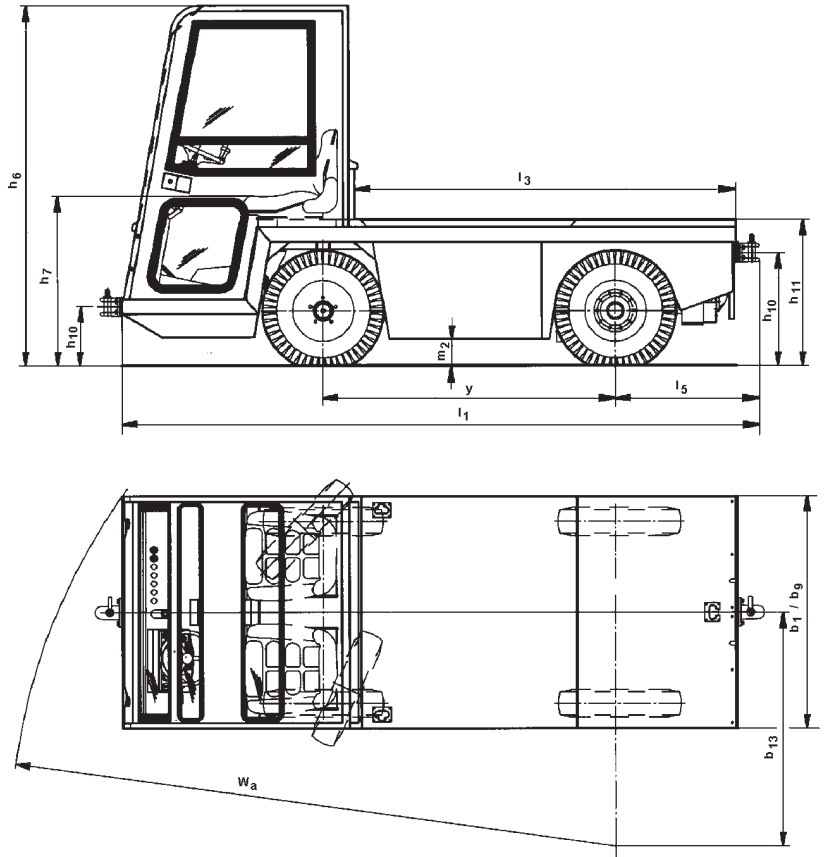


Electric Platform Truck, three-phase current technology, electronic, explosion-proof, Zone 1

EFW



- EFW 20-25XE2
- Technical Data

MIAG Fahrzeugbau GmbH
Kocherstr. 1, 38120 Braunschweig
Fon ++49 (0531) 8 66 01-0
Fax ++49 (0531) 8 66 01-50

MIAG 
The specialist in -industrial lift trucks
and innovative transport systems

Explosion-proof, type of protection Ex II 2G IIB 120°, range of application Zone 1 and 2 as per BetrSichV, registered as per PTB-No.03 ATEX D038, conformity declaration PTB 03 ATEX 3079.

Description						
1.1	Manufacturer (Make [abbreviation])		MIAG	MIAG		
1.2	Type designation of the manufacturer		EFW 20XE2	EFW 25XE2		
1.3	Drive Battery, Diesel, Petrol, fuel gas, mains current		Battery	Battery		
1.4	Operation Hand, Pedestrian, stand-on, driver-seated		Driver seated	Driver seated		
1.5	Carrying capacity / Load	Q (t)	2,0	2,5		
1.7	Rated pulling power	F (N)	-	-		
1.9	Wheel base	γ (mm)	1565	1565		
Weights						
2.1	Dead weight without/with cabin	kg	3050 / 3200	3050 / 3200		
2.2	Axle load without cabin laden front/rear	kg	2250 / 2800	2250 / 2800		
	Axle load with cabin laden front/rear	kg	2400 / 2800	2400 / 2800		
2.3	Axle load without cabin unladen front/rear	kg	1700 / 1350	1700 / 1350		
	Axle load with cabin unladen front/rear	kg	1900 / 1300	1900 / 1300		
Wheels, Chassis						
3.1	Tyres Pneumatic, Solid, Vulcollan		Sup.cush./Pneum.	Sup.cush./Pneum.		
3.2	Dimension in front		23x5	23x5		
3.3	Dimension at the rear		23x5	23x5		
3.5	Wheels number front / rear, x=driven		2 / 2x	2 / 2x		
3.6	Truck width front	b_{10} (mm)	930	930		
3.7	Truck width rear	b_{11} (mm)	1010	1010		
Base dimensions						
4.7	Height above overhead guard (cabin)	h_6 (mm)	2140	2140		
4.8	Seat height	h_7 (mm)	1000	1000		
4.12	Height coupling front/rear	h_{10} (mm)	390 / 720	390 / 720		
4.13	Loading height unladen	h_{11} (mm)	910	910		
4.16	Loading area length	l_3 (mm)	2000	2000		
4.17	Overhang	l_5 (mm)	800	800		
4.18	Loading area width	b_9 (mm)	1250	1250		
4.19	Length total	l_1 (mm)	3440	3440		
4.21	Width total	b_1 (mm)	1250 / 1300*	1250 / 1300*		
4.32	Ground clearance centre wheel base laden / unladen	m_2 (mm)	245 / 220	245 / 220		
4.35	Turning radius	W_a (mm)	3480	3480		
4.36	min. fulcrum distance	b_{13} (mm)	1670	1670		
Performance						
5.1	Speed travel laden / unladen	km / h	16 / 18	16 / 18		
5.5	draw-bar pull laden / unladen (outside expl.-proof area)	N	10000/10000	10000/10000		
5.6	max. draw-bar pull laden/unladen (outs. expl.-proof area)	N	on application	on application		
5.7	Climbing capacity with / without load	%	8 / 16	8 / 16		
5.8	Max. gradeability laden / unladen	%	on application	on application		
5.10	Service brake		electr./mech.	electr./mech.		
E-Motor						
6.1	Traction motor, output / 1 hour rating	kW	8	8		
6.2	Hydraulic motor, output / 1 hour rating	kw	5	5		
6.3	Battery according to DIN 43531 / 35 / 36, A / B / C, no		no	no		
6.4	Battery voltage / Capacity K_s	V / Ah	80 / 280, 320	80 / 280, 320		
6.5	Battery weight	kg	880	880		
Others						
8.1	Motor control type		pulse	pulse		
8.4	Sound level at driver's ear to EN12053	dB (A)	-	-		
8.5	Coupling, Kind / Type DIN		-	-		

* with cabine