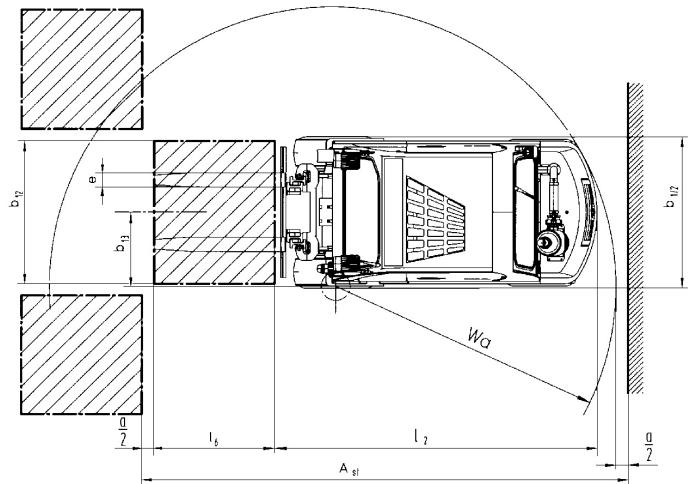
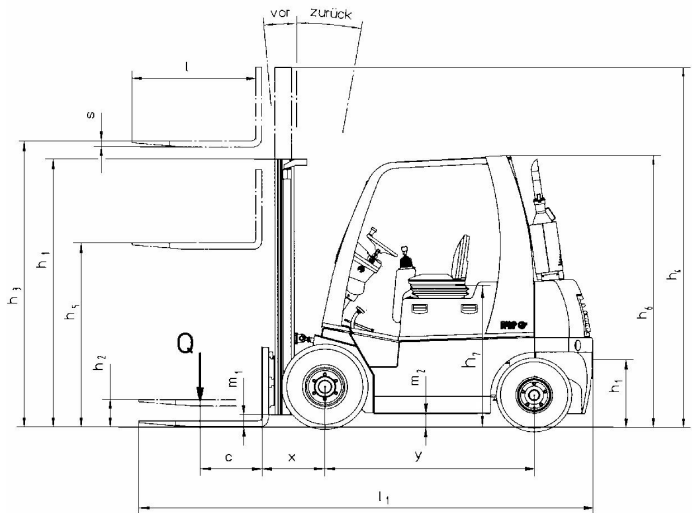




**Diesel Fork Lift Truck
 explosion-proof, Zone 1**

DFG



- $A_{st} = W_a + x + l_6 + a$
- A_{st} = Aisle width between stacks
- a = Safety distance = 200 mm
- l_6 = Pallet width (e.g. 800 or 1000 mm)
- b_{12} = Pallet length (e.g. 1200 mm)

**DFG 16-25XD
 Technical Data**



Technical Data Diesel Fork Lift Truck

(in accord. with VDI 2198) DFG 16-25XD, explosion-proof

Explosion-proof, type of protection Ex II 2G IIB T4, range of application Zone 1 and 2 as per BetrSichV, registered as per PTB-No. 05 ATEX D140, conformity declaration PTB 06 ATEX 5002

Description					
1.1	Manufacturer (Make [abbreviation])		MIAG	MIAG	MIAG
1.2	Type designation of the manufacturer		DFG 16XD	DFG 20XD	DFG 25XD
1.3	Drive Battery, Diesel, Petrol, fuel gas, mains current		Diesel	Diesel	Diesel
1.4	Operation Hand, Pedestrian, stand-on, driver-seated		Driver seated	Driver seated	Driver seated
1.5	Carrying capacity / Load **	Q (t)	1,6	2,0	2,5
1.6	Load centre	c (mm)	500	500	500
1.8	Load distance, mast lowered	x (mm)	476	476	476
1.9	Wheel base	y (mm)	1710	1710	1710
Weights					
2.1	Dead weight	kg	4730	4730	4880
2.2	Axle load laden front/rear	kg	4940 / 1390	5380 / 1340	6130 / 1250
2.3	Axle load unladen front/rear	kg	2200 / 2530	2200 / 2530	2270 / 2610
Wheels, Chassis					
3.1	Tyres Pneumatic, Solid, Vulcollan		Pneumatic-tired	Pneumatic-tired	Pneumatic-tired
3.2	Dimension in front		7.00-12/16PR	7.00-12/16PR	27x10/14PR
3.3	Dimension at the rear		6.50-10/14PR	6.50-10/14PR	23x9-10/20PR
3.5	Wheels number front / rear, x=driven		2x / 2	2x / 2	2x / 2
3.6	Truck width front	b ₁₀ (mm)	1030	1030	1030
3.7	Truck width rear	b ₁₁ (mm)	1020	1020	1020
Base dimensions					
4.1	Mast tilt /fork carriage, ago / back	Degree	5 / 10	5 / 10	5 / 10
4.2	Height of mast, lowered	h ₁ (mm)	2225	2225	2225
4.3	Free lift	h ₂ (mm)	1620	1620	1620
4.4	Lift at double mast	h ₃ (mm)	3150	3150	3150
4.5	Height of mast, raised	h ₄ (mm)	3755	3755	3755
4.7	Height above overhead guard (cabin)	h ₆ (mm)	2260	2260	2260
4.8	Seat height (seat load)	h ₇ (mm)	1190	1190	1190
4.12	Height coupling	h ₁₀ (mm)	565	565	565
4.19	Length total	l ₁ (mm)	3674	3674	3674
4.20	Length including shank	l ₂ (mm)	2674	2674	2674
4.21	Width total	b ₁ /b ₂ (mm)	1300	1300	1300
4.22	Fork dimensions	s/e / l (mm)	48/128/1000	48/128/1000	48/128/1000
4.23	Fork carriage according to DIN 15173 / ISO 2328, A/ B		B	B	B
4.24	Fork carriage width	b ₃ (mm)	1100	1100	1100
4.31	Ground clearance with load under lifting frame	m ₁ (mm)	110	110	110
4.32	Ground clearance centre wheel base (lowest point)	m ₂ (mm)	110	110	110
4.33	Aisle width for pallets 1000x1200 cross	A _{st} (mm)	4072	4072	4072
4.34	Aisle width for pallets 800x1200 along	A _{st} (mm)	4272	4272	4272
4.35	Turning radius	W _a (mm)	2360	2360	2360
4.36	min. fulcrum distance	b ₁₃ (mm)	700	700	700
Performance					
5.1	Speed travel laden / unladen	km / h	17 / 18	17 / 18	17 / 18
5.2	Speed lift laden / unladen	m / s	0,52 / 0,68	0,52 / 0,68	0,52 / 0,68
5.3	Speed lower laden / unladen	m / s	0,56 / 0,38	0,56 / 0,38	0,56 / 0,38
5.5	tractive power laden / unladen(outside expl.-proofarea)	N	14250/13000	14250/13000	14250/13000
5.7	Climbing capacity with / without load	%	16 / 22	16 / 22	16 / 22
5.9	Acceleration period laden / unladen	s	6,5 / 5,5	6,5 / 5,5	6,5 / 5,5
5.10	Service brake		Foot brake hydr.	Foot brake hydr.	Foot brake hydr.
Internal Combustion Motor					
7.1	Motor manufacturer / Type		MDE 226B-3x	MDE 226B-3x	MDE 226B-3x
7.2	Motor rating in according with ISO 1585	kW	36	36	36
7.3	Rated speed	min ⁻¹	2200	2200	2200
7.4	No. of cylinders / cylinder capacity	/ cm ³	3 / 3120	3 / 3120	3 / 3120
7.5	Fuel consumption in according with VDI-cyclus	l / h	2,4	2,4	2,4
Others					
8.1	Motor control type		hydrodyn.	hydrodyn.	hydrodyn.
8.2	Working pressure for attachments	bar	150	150	150
8.3	Oil quantity for attachments	l / min	12	12	12
8.4	Sound level at driver´s ear to EN12053	dB (A)	83	83	83
8.5	Coupling, Kind / Type DIN		SK3J/74056	SK3J/74056	SK3J/74056

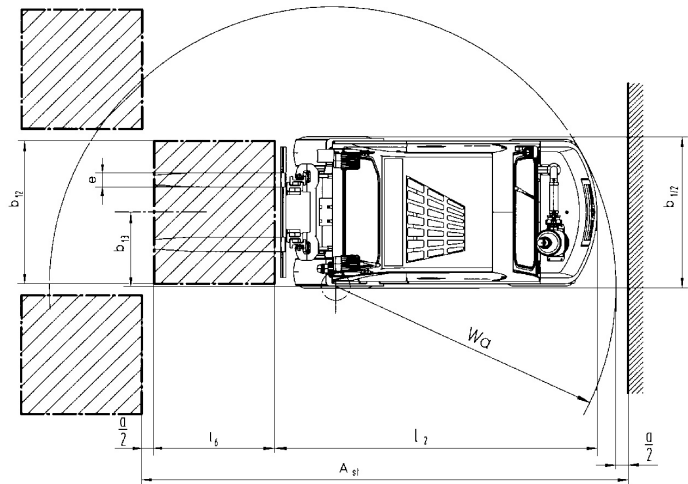
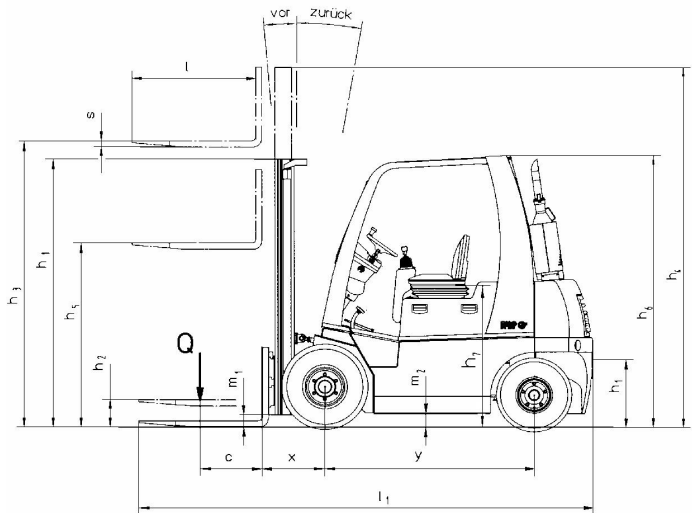
** from 3500 mm lift height reduction of carrying capacity to 80 %

*** with mast design in series, further designs on request



Diesel Fork Lift Truck
 explosion-proof, Zone 1

DFG



$A_{st} = W_a + x + l_6 + a$
 A_{st} = Aisle width between stacks
 a = Safety distance = 200 mm
 l_6 = Pallet width (e.g. 800 or 1000 mm)
 b_{12} = Pallet length (e.g. 1200 mm)

DFG 30-40XD
Technical Data



Technical Data Diesel Fork Lift Truck

(in accord. with VDI 2198) DFG 30-40XD, explosion-proof

Explosion-proof, type of protection Ex II 2G IIB T4, range of application Zone 1 and 2 as per BetrSichV, registered as per PTB-No. 05 ATEX D140, conformity declaration PTB 06 ATEX 5002

Description					
1.1	Manufacturer (Make [abbreviation])		MIAG	MIAG	MIAG
1.2	Type designation of the manufacturer		DFG 30XD	DFG 35XD	DFG 40XD
1.3	Drive Battery, Diesel, Petrol, fuel gas, mains current		Diesel	Diesel	Diesel
1.4	Operation Hand, Pedestrian, stand-on, driver-seated		Driver seated	Driver seated	Driver seated
1.5	Carrying capacity / Load **	Q (t)	3,0	3,5	4,0
1.6	Load centre	c (mm)	500	500	500
1.8	Load distance, mast lowered	x (mm)	476	495	495
1.9	Wheel base	y (mm)	1840	1840	1840
Weights					
2.1	Dead weight	kg	5100	5500	5750
2.2	Axle load laden front/rear	kg	7210 / 890	8050 / 950	8680 / 1020
2.3	Axle load unladen front/rear	kg	2410 / 2690	2600 / 2900	2600 / 3150
Wheels, Chassis					
3.1	Tyres Pneumatic, Solid, Vulcollan		Pneumatic-tired	Pneumatic-tired	Pneumatic-tired
3.2	Dimension in front		27x10/14PR	27x10/14PR	27x10/14PR
3.3	Dimension at the rear		23x9-10/20PR	23x9-10/20PR	23x9-10/20PR
3.5	Wheels number front / rear, x=driven		2x / 2	2x / 2	2x / 2
3.6	Truck width front	b_{10} (mm)	1130	1130	1130
3.7	Truck width rear	b_{11} (mm)	1070	1070	1070
Base dimensions					
4.1	Mast tilt /fork carriage, ago / back	Degree	5 / 10	5 / 10	5 / 10
4.2	Height of mast, lowered	h_1 (mm)	2225	2225	2225
4.3	Free lift	h_2 (mm)	1620	1620	1620
4.4	Lift at double mast	h_3 (mm)	3150	3100	3100
4.5	Height of mast, raised	h_4 (mm)	3755	3705	3705
4.7	Height above overhead guard (cabin)	h_6 (mm)	2260	2260	2260
4.8	Seat height (seat load)	h_7 (mm)	1190	1190	1190
4.12	Height coupling	h_{10} (mm)	565	565	565
4.19	Length total	l_1 (mm)	3814	3934	3934
4.20	Length including shank	l_2 (mm)	2814	2934	2934
4.21	Width total	b_1/b_2 (mm)	1400	1400	1400
4.22	Fork dimensions	$s/e/l$ (mm)	58/128/1000	58/128/1000	58/128/1000
4.23	Fork carriage according to DIN 15173 / ISO 2328, A/ B		B	A	A
4.24	Fork carriage width	b_3 (mm)	1200	1200	1200
4.31	Ground clearance with load under lifting frame	m_1 (mm)	110	150	150
4.32	Ground clearance centre wheel base (lowest point)	m_2 (mm)	110	110	110
4.33	Aisle width for pallets 1000x1200 cross	A_{st} (mm)	4242	4362	4362
4.34	Aisle width for pallets 800x1200 along	A_{st} (mm)	4442	4562	4562
4.35	Turning radius	W_a (mm)	2520	2640	2640
4.36	min. fulcrum distance	b_{13} (mm)	782	782	782
Performance					
5.1	Speed travel laden / unladen	km / h	17 / 18	17 / 18	17 / 18
5.2	Speed lift laden / unladen	m / s	0,35 / 0,45	0,35 / 0,45	0,35 / 0,45
5.3	Speed lower laden / unladen	m / s	0,45 / 0,26	0,45 / 0,26	0,45 / 0,26
5.5	tractive power laden / unladen(outside expl.-proofarea)	N	17000/13000	17000/13000	17000/13000
5.7	Climbing capacity with / without load	%	17 / 22	17 / 22	17 / 22
5.9	Acceleration period laden / unladen	s	7 / 5,5	7 / 5,5	7 / 5,5
5.10	Service brake		Foot brake hydr.	Foot brake hydr.	Foot brake hydr.
Internal Combustion Motor					
7.1	Motor manufacturer / Type		MDE 226B-4x	MDE 226B-4x	MDE 226B-4x
7.2	Motor rating in according with ISO 1585	kW	48	48	48
7.3	Rated speed	min ⁻¹	2200	2200	2200
7.4	No. of cylinders / cylinder capacity	/ cm ³	4 / 4160	4 / 4160	4 / 4160
7.5	Fuel consumption in according with VDI-cyclus	l / h	2,9	2,9	2,9
Others					
8.1	Motor control type		hydrodyn.	hydrodyn.	hydrodyn.
8.2	Working pressure for attachments	bar	150	150	150
8.3	Oil quantity for attachments	l / min	12	12	12
8.4	Sound level at driver´s ear to EN12053	dB (A)	83	83	83
8.5	Coupling, Kind / Type DIN		SK3J/74056	SK3J/74056	SK3J/74056

** from 3500 mm lift height reduction of carrying capacity to 80 %

*** with mast design in series, further designs on request